

Easy to Install Intelligent Coupon Solution

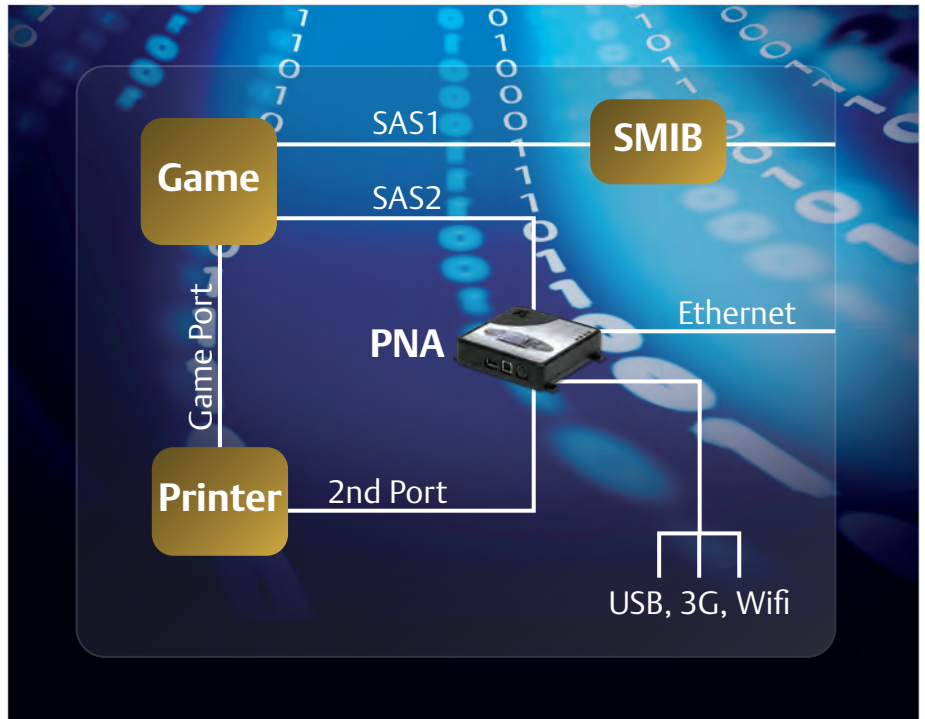
- Implement intelligent promotional coupon alongside existing system applications or as an integrated solution
- PromoNet solution works via existing casino ethernet networks, USB flash, and wireless networks such as 3G and WiFi
- Takes full advantage of existing hardware by connecting second SAS port with dedicated second port on printer

Communicate with Entire Operation

- Use the PromoNet Adaptor (PNA) to connect to EGMs or standalone printers at any location throughout the operation
- Monitor and print coupons with PromoNet server's unique ability to communicate in real time
- Use mobile computing solutions and an array of available tools such as heat maps and player profiles to reward most valuable players

Secure Operations

- Access business and functional logic contained in various layers (Interface, Client, Device)
- Safeguard against changes to the database schema or other server-side systems change or down time
- Supports standard security levels including GSA Transport Layer Security (TLS 2.0)
- Peripheral network provides communications to the printers. The roadmap includes the ability to talk to bill validators, for status and firmware download.



The PromoNet® promotional couponing solution works seamlessly with a casino's existing FutureLogic GEN2 Universal™ and GEN3 Evolution® TITO printers, thereby avoiding costly printer modifications or upgrades. PromoNet's system architecture fully optimizes existing hardware and GSA ports, hence changes to communication protocols are also unnecessary.

As a network-based system, the PromoNet solution can be connected via a PNA (Promotional Network Adaptor) to the EGM (Electronic Gaming Machine), and to the EGM's bill validator and printer, providing the infrastructure to run multiple applications.

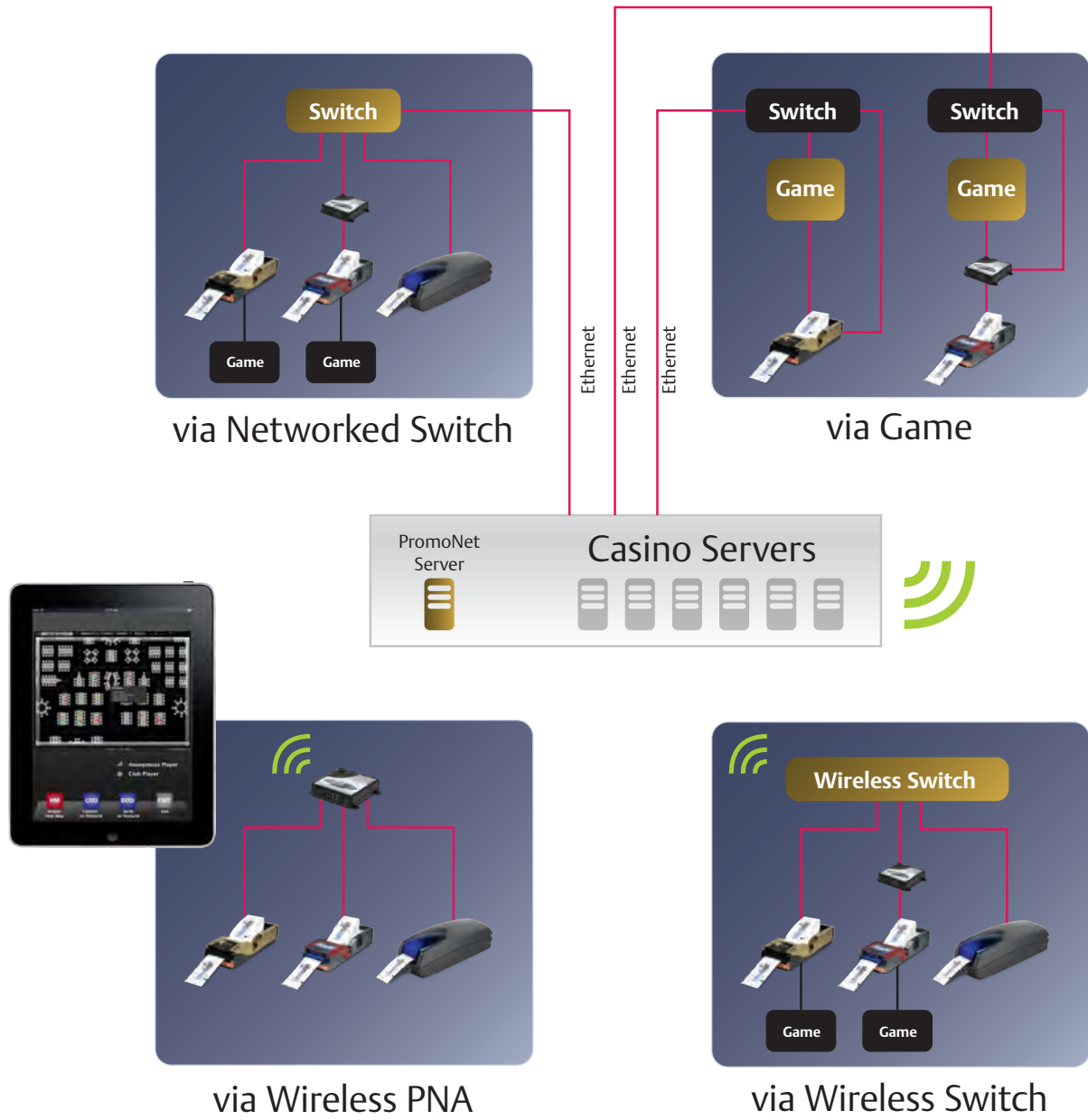
Using a network-based protocol allows the casino to strategically place redemption units throughout the property, either to close the loop on game play or issue additional coupons to further enhance player's experience. For example, the PromoNet system can accommodate host-assisted mobile computing solutions to perform on-demand promotional couponing.

The PromoNet solution utilizes distributed processing, and as such, most of its business and functional logic features are contained in the PromoNet Layer, the PromoNet Application Layer and the PromoNet Interface Layer. With PromoNet in place, operators can run unique promotions or groups of promotions in each game.

The PromoNet solution can be configured to communicate with printers and bill validators in a variety of methods. Traditional LAN is a common method. Another option is to utilize mobile computing solutions to communicate with the PromoNet server via WiFi or 3G / 4G cellular networks. Mobile devices will also be able to communicate directly with the system PNA (Promotional Network Adaptor) device in certain configurations (see reverse side for details of the various wired and wireless configurations).



PromoNet® System Architecture



Contact Information:

Slot Technicians: slottechsupport@futurelogic-inc.com
General Information: info@futurelogic-inc.com
Website: www.futurelogic-inc.com

This document describes product functions and technology that may not be available in a particular gaming jurisdiction, and would therefore not be available for sale and not approved for use at this time. Please contact your local sales representative for information concerning what features are available in your jurisdiction. All mentions of "voucher" or "vouchers" in this document refer to "Slot Machine Payout Receipt" or "Slot Machine Wagering Voucher" and all mentions of "coupon" or "coupons" in this document refer to "Slot Machine Coupon" according to **Technical Standards for Gaming and Online Slot Machines (Rev 03/06)**.

FutureLogic, Inc.
425 E. Colorado Street, Suite 100
Glendale, CA 91205
United States of America
Tel: 818.244.4700
Fax: 818.244.4764

FutureLogic Europe
Unit 6, Cordwallis Industrial Estate
Clivemont Road, Maidenhead, SL6 7BU
United Kingdom
Tel: +44.1628 760.080
Fax: +44.1628.760.089

FutureLogic Asia
Avenida Da Praia Grande, No. 369-371
Edificio Keng Ou, 20 andar A, Macau
China
tel: +853.2838.9702
fax: +853.2838.9701

FutureLogic Australia
Suite 2201, Level 22, Westfield Tower 2
Bondi Junction, NSW 2202
Australia
tel: +61.1300.643.683
fax: +61.1300.362.743