

Superior Performance & Reliability

- Operating Temperatures from -20°C to +60°C
- Operating Humidity from 5% to 95%
- Print Speed up to 250 mm / sec
- Presentation Speed up to 625 mm / sec

Flexible Configuration

- Paper Widths from 80 mm to 82.5 mm
- Paper Rolls from 100 mm to 250 mm O.D.
- Multiple Printer Mounting Positions
- Multiple Paper Roll Mounting Positions
- Choice of Friction Fit Spindles

Optimum Security

- Secure Ticket Retraction via High Speed Presenter

Flexible Interface

- USB 2.0 Full Speed
- RS232 Serial
- Drivers for Windows XP, XPe (under development), Linux (under development)

Expansion Memory Slot

Worldwide Service & Support

- Global Support & Local Knowledge
- Reliable and Responsive Service
- Advanced Product Availability



In response to continued industry demand for robust outdoor printer solutions, here is a fully integrated heavy-duty thermal printer that delivers superior performance in extreme operating conditions, whatever the application. Introducing the Eclipse[™] universal ticket and receipt printer from FutureLogic. It is the perfect printer for the latest generation of gaming & lottery terminals, parking, finance, transit and retail kiosk applications.

Delivering the industry's best throughput of 250 mm per second in the harshest environment (-20°C to +60°C and 5% to 95% relative humidity), the Eclipse printer offers superior features to enhance its performance, reliability and design flexibility.

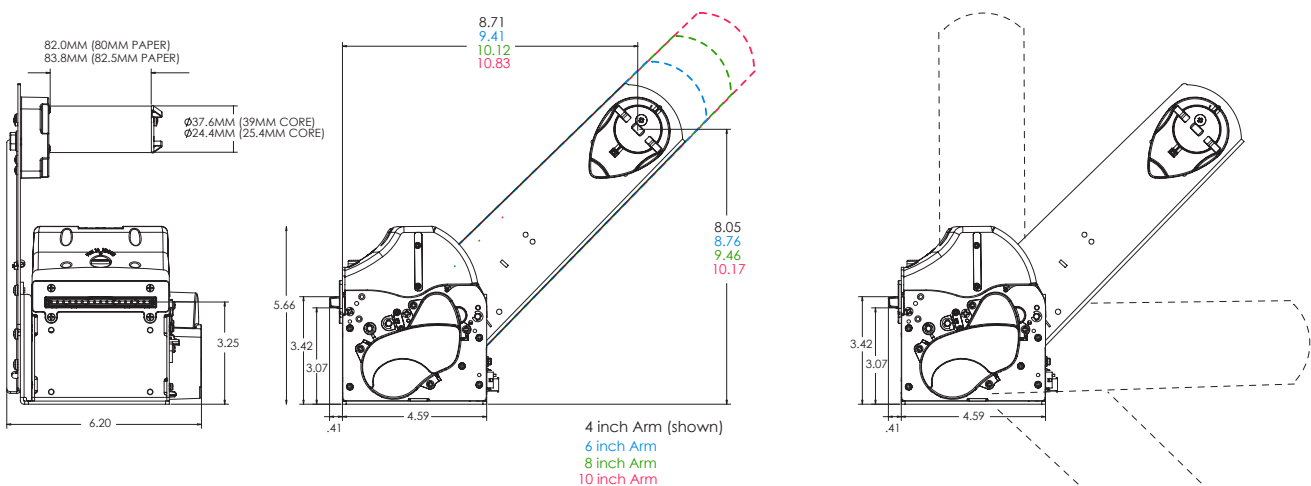
Offering flexible configuration, the Eclipse printer offers multiple printer and paper roll mounting positions that can accommodate paper widths of 80 or 82.5 mm and paper rolls of 100, 150, 200, and 250 mm in diameter with a choice of friction fit spindles.

Providing optimum security, the Eclipse printer's high speed and rugged presenter features an "eject and retract" technology that allows for storage of unclaimed receipts in an auxiliary tray.

The new Eclipse printer combines superior performance with flexible configuration making it reliable and easy to use whatever the operating environment or application.

[It clearly Eclipses the field.](#)

General	
Dimensions (WxDxH)	144 mm x 146 mm x 144 mm
Weight	2.5 kg
Power Requirements	24 VDC ± 10% (3 A Maximum Average Current)
Printing Speed	Up to 250 mm / sec
Printing Width	80 mm
Resolution	8 dots / mm
Firmware	In Circuit Upgradable
Paper	80 mm, 82.5 mm 65 µm to 120 µm (Thickness)
Paper Roll	250 mm Maximum O.D. 25 mm and 38 mm Friction Fit Spindle
Paper Cutter Speed	Cycle time of 500 ms
Paper Roll Loading Orientation	Configurable for Left and Right Side Loading
Paper Feed Speed	Up to 250 mm / sec
Paper Indexing	Black Mark Indexing, Bottom of Paper
Presentation Method	Active Presentation
Presentation Speed	Up to 625 mm / sec minimum
Presentation Receipt Lengths	62 mm Minimum to 350 mm Maximum (Mounting Dependent)
Paper Arm Lengths	For 100 mm, 150 mm, 200 mm, 250 mm Paper Roll O.D.; Arm Styles for Various Paper Roll Widths
Operating Angle	Any Position from +90 Degrees (Vertical Pointing Upwards) to -90 Degrees (Vertical Pointing Downwards)
Bezel	Multiple Illuminated Bezel Options Available as well as Custom to Application
Sensors	Print Engine Engaged, Engine Paper Present, Index Mark, Paper Low, Presenter Paper Available, Receipt Taken, Paper Jam, Voltage Range, Print Engine Temperature
Auxiliary Ports	Bezel Port 24 V @ 250 mA Maximum, Control Port 24 V @ 250 mA Maximum
Operator Controls	Paper Feed, Cut and Present, Self Test (Depressed Feed Upon Power Up), 4 Status LEDs
Characteristics	
Printer Languages	TCL™ PDL Sub-set of Epson Compatible Line Printer
Fonts	Multiple Font Sizes Character Sets to Support: English, Spanish, French, German, Dutch, Italian; Asian Fonts Available via Expansion Slot
Expansion Slot	Micro SD Slot for Unicode or Additional Memory from 126 MB to 8 GB;
Memory	8MB Flash Memory for Transaction History; 8MB Flash Memory for Graphics Memory;
Bar codes	PDF-417, UPCA, UPCA+2, UPCA+5, UPCE, UPCE+2, UPCE+5, EAN13, EAN8, CODE 39, CODE 2 of 5, CODABAR, CODE 128
Graphics	Raster Image, Downloadable .BMP, .PCX
Interface	
Communications	USB 2.0 Full Speed B Type Connector, RS232C Serial
Drivers	Windows XP, XPe (Under Development), Linux (Under Development)
Environmental	
Operating Temperature	-20°C to +60°C, 10% to 85% R.H.
Storage Temperature	-30°C to +85°C, 10% to 85% R.H.
Operating Humidity	5 to 95% RH Non-Condensing
Reliability	
Print Head Life	Up to 150 km
Paper Cutter Life	Up to 2 Million Cuts
MTBF	10 Years
Warranty	2 Years
Certifications	ISO 9001, CE Certified, RoHS



FutureLogic, Inc.
425 E. Colorado Street, Suite 100
Glendale, CA 91205, USA
tel 818 244 4700
fax 818 244 4764
www.futurelogic-inc.com

**FutureLogic International
Europe & Africa**
Unit 6, Block A, Cordwallis Industrial Estate
Clivemont Road, Maidenhead, SL6 7BQ, UK
tel +44 (0) 1628 760 080
fax +44 (0) 1628 760 089

Asia
Avenida da Praia Grande, No.369-371
Edificio Keng Ou, 19 Andar A, Macau
澳門南灣大馬路369-371號京澳大廈19樓A
tel +853 665 507 48

This document describes product functions and technology that may not be available in a particular gaming jurisdiction, and would therefore not be available for sale and not approved for use at this time. Please contact your local sales representative for information concerning what features are available in your jurisdiction. All mentions of "voucher" or "coupons" in this document refer to "Slot Machine Payout Receipt" or "Slot Machine Wagering Voucher" and all mentions of "coupon" or "coupons" in this document refer to "Slot Machine Coupon" according to **Technical Standards for Gaming and Online Slot Machines (Rev 03/06)**.