

Superior Performance & Reliability

- Operating Temperatures from -20°C to +60°C
- Operating Humidity from 5% to 95%
- Print Speed up to 250 mm / sec
- Presentation Speed up to 625 mm / sec

Flexible Configuration

- Paper Widths from 80 mm to 82.5 mm
- Paper Rolls from 100 mm to 250 mm O.D.
- Multiple Printer Mounting Positions
- Multiple Paper Roll Mounting Positions
- Choice of Friction Fit Spindles

Optimum Security

- Secure Ticket Retraction via High Speed Presenter

Flexible Interface

- USB 2.0 Full Speed
- RS232 Serial
- Drivers for Windows XP, XPe (under development), Linux (under development)

Expansion Memory Slot

Worldwide Service & Support

- Global Support & Local Knowledge
- Reliable and Responsive Service
- Advanced Product Availability



In response to continued industry demand for robust outdoor printer solutions, here is a fully integrated heavy-duty thermal printer that delivers superior performance in extreme operating conditions, whatever the application. Introducing the Eclipse™ universal ticket and receipt printer from FutureLogic. It is the perfect printer for the latest generation of gaming & lottery terminals, parking, finance, transit and retail kiosk applications.

Delivering the industry's best throughput of 250 mm per second in the harshest environment (-20°C to +60°C and 5% to 95% relative humidity), the Eclipse printer offers superior features to enhance its performance, reliability and design flexibility.

Offering flexible configuration, the Eclipse printer offers multiple printer and paper roll mounting positions that can accommodate paper widths of 80 or 82.5 mm and paper rolls of 100, 150, 200, and 250 mm in diameter with a choice of friction fit spindles.

Providing optimum security, the Eclipse printer's high speed and rugged presenter features an "eject and retract" technology that allows for storage of unclaimed receipts in an auxiliary tray.

The new Eclipse printer combines superior performance with flexible configuration making it reliable and easy to use whatever the operating environment or application.

[It clearly Eclipses the field.](#)

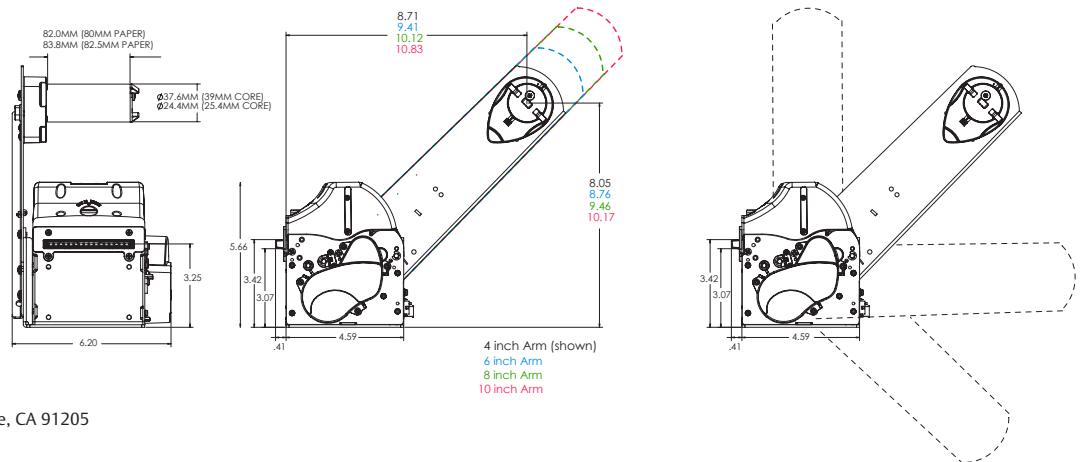
General		Characteristics	
Dimensions (WxDxH)	144 mm x 146 mm x 144 mm	Printer Languages	TCL™ PDL Sub-set of Epson Compatible Line Printer
Weight	2.5 kg	Fonts	Multiple Font Sizes Character Sets to Support: English, Spanish, French, German, Dutch, Italian; Asian Fonts Available via Expansion Slot
Power Requirements	24 VDC ± 10% (3 A Maximum Average Current)	Expansion Slot	Micro SD Slot for Unicode or Additional Memory from 126 MB to 8 GB;
Printing Speed	Up to 250 mm / sec	Memory	8MB Flash Memory for Transaction History; 8MB Flash Memory for Graphics Memory;
Printing Width	80 mm	Bar codes	PDF-417, UPCA, UPCA+2, UPCA+5, UPCE, UPCE+2, UPCE+5, EAN13, EAN8, CODE 39, CODE 2 of 5, CODABAR, CODE 128
Resolution	8 dots / mm	Graphics	Raster Image, Downloadable .BMP, .PCX
Firmware	In Circuit Upgradable	Interface	
Paper	80 mm, 82.5 mm 65 µm to 120 µm (Thickness)	Communications	USB 2.0 Full Speed B Type Connector, RS232C Serial
Paper Roll	250 mm Maximum O.D. 25 mm and 38 mm Friction Fit Spindle	Drivers	Windows XP, XPe (Under Development), Linux (Under Development)
Paper Cutter Speed	Cycle time of 500 ms	Environmental	
Paper Roll Loading Orientation	Configurable for Left and Right Side Loading	Operating Temperature	-20°C to +60°C, 10% to 85% R.H.
Paper Feed Speed	Up to 250 mm / sec	Storage Temperature	-30°C to +85°C, 10% to 85% R.H.
Paper Indexing	Black Mark Indexing, Bottom of Paper	Operating Humidity	5 to 95% RH Non-Condensing
Presentation Method	Active Presentation	Reliability	
Presentation Speed	Up to 625 mm / sec minimum	Print Head Life	Up to 150 km
Presentation Receipt Lengths	62 mm Minimum to 350 mm Maximum (Mounting Dependent)	Paper Cutter Life	Up to 2 Million Cuts
Paper Arm Lengths	For 100 mm, 150 mm, 200 mm, 250 mm Paper Roll O.D.; Arm Styles for Various Paper Roll Widths	MTBF	10 Years
Operating Angle	Any Position from +90 Degrees (Vertical Pointing Upwards) to -90 Degrees (Vertical Pointing Downwards)	Warranty	2 Years
Bezel	Multiple Illuminated Bezel Options Available as well as Custom to Application	Certifications	ISO 9001, CE Certified, RoHS
Sensors	Print Engine Engaged, Engine Paper Present, Index Mark, Paper Low, Presenter Paper Available, Receipt Taken, Paper Jam, Voltage Range, Print Engine Temperature		
Auxiliary Ports	Bezel Port 24 V @ 250 mA Maximum, Control Port 24 V @ 250 mA Maximum		
Operator Controls	Paper Feed, Cut and Present, Self Test (Depressed Feed Upon Power Up), 4 Status LEDs		



FutureLogic, Inc.
425 E. Colorado Street, Suite 100 Glendale, CA 91205
Tel 818.244.4700 Fax 818.244.4764

Sales Offices:
Buenos Aires (Argentina) | Sydney (Australia) | Macau (China)
Maidenhead (UK) | Glendale (US)

Contact Information:
Slot Technicians: slottechsupport@futurelogic-inc.com
General Information: info@futurelogic-inc.com
Website: www.futurelogic-inc.com



This document describes product functions and technology that may not be available in a particular gaming jurisdiction, and would therefore not be available for sale and not approved for use at this time. Please contact your local sales representative for information concerning what features are available in your jurisdiction. All mentions of "voucher" or "vouchers" in this document refer to "Slot Machine Payout Receipt" or "Slot Machine Wagering Voucher" and all mentions of "coupon" or "coupons" in this document refer to "Slot Machine Coupon" according to **Technical Standards for Gaming and Online Slot Machines (Rev 03/06)**.